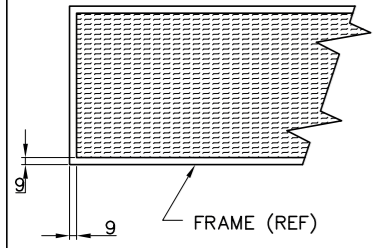


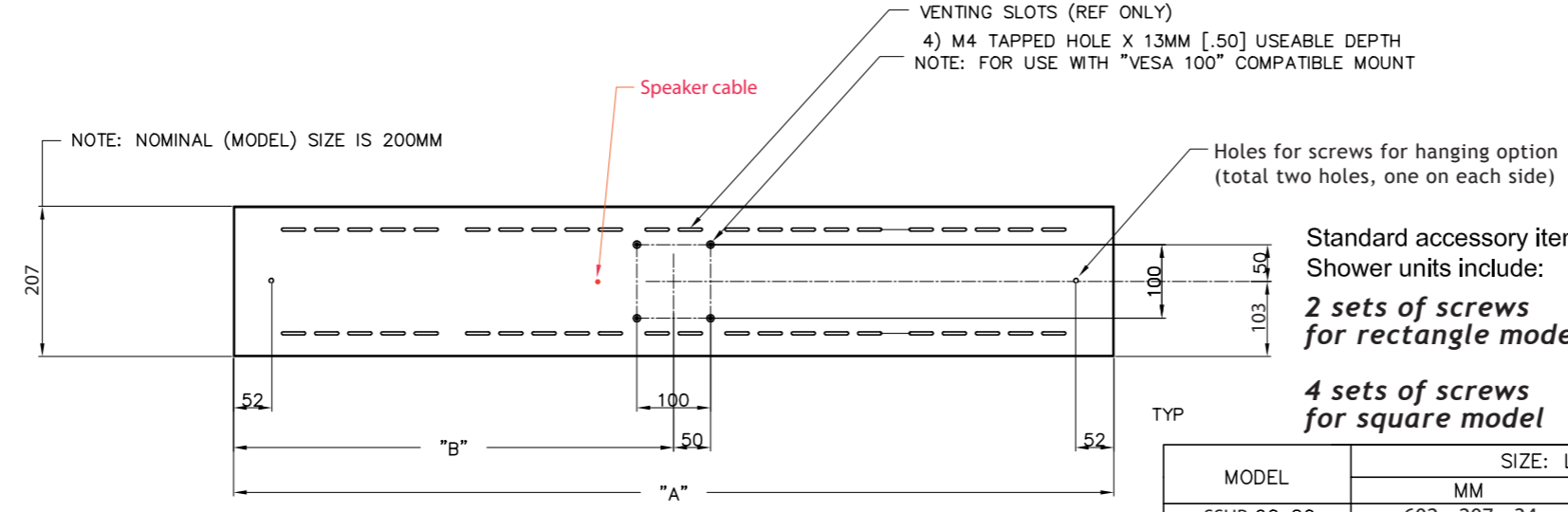
SSHP 60X20 / SSHP 120X20

SOUND SHOWER DIMENSIONAL SPECIFICATION LAYOUT DRAWING -INSTALLATION REFERENCE ONLY-

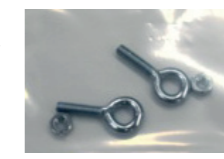
* Tolerance = +/- 1mm



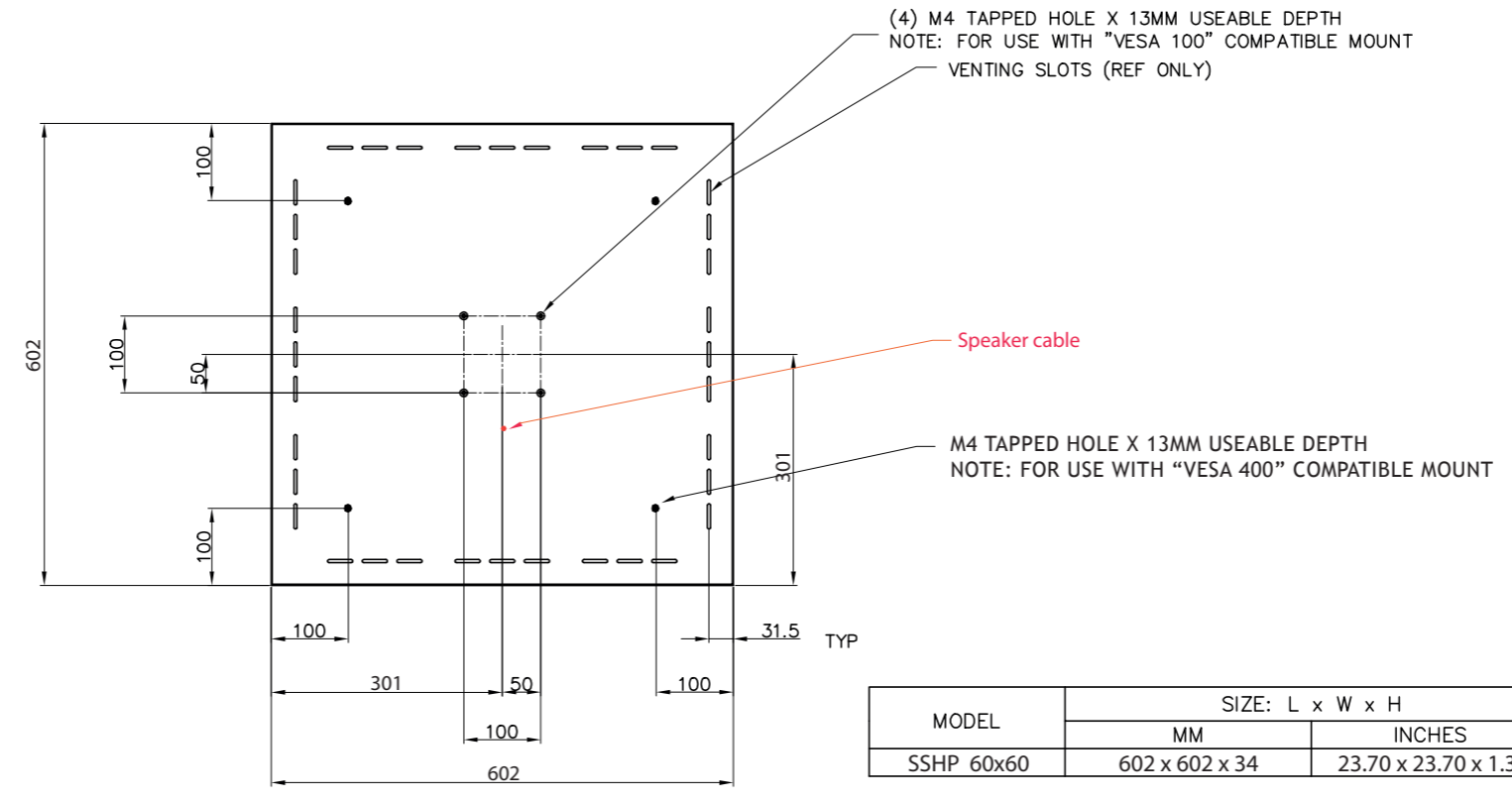
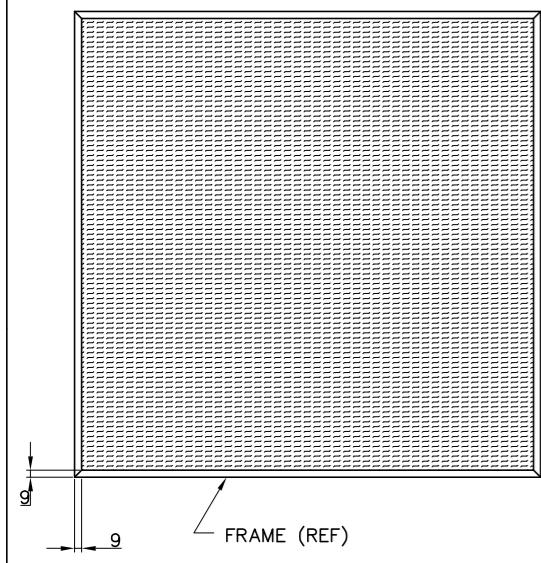
NOTE: APPROX DISTANCE IN WHICH PRODUCT FASTENERS (SCREW HEADS) PROTRUDE



Standard accessory items supplied with Sound Shower units include:
2 sets of screws for rectangle models
4 sets of screws for square model

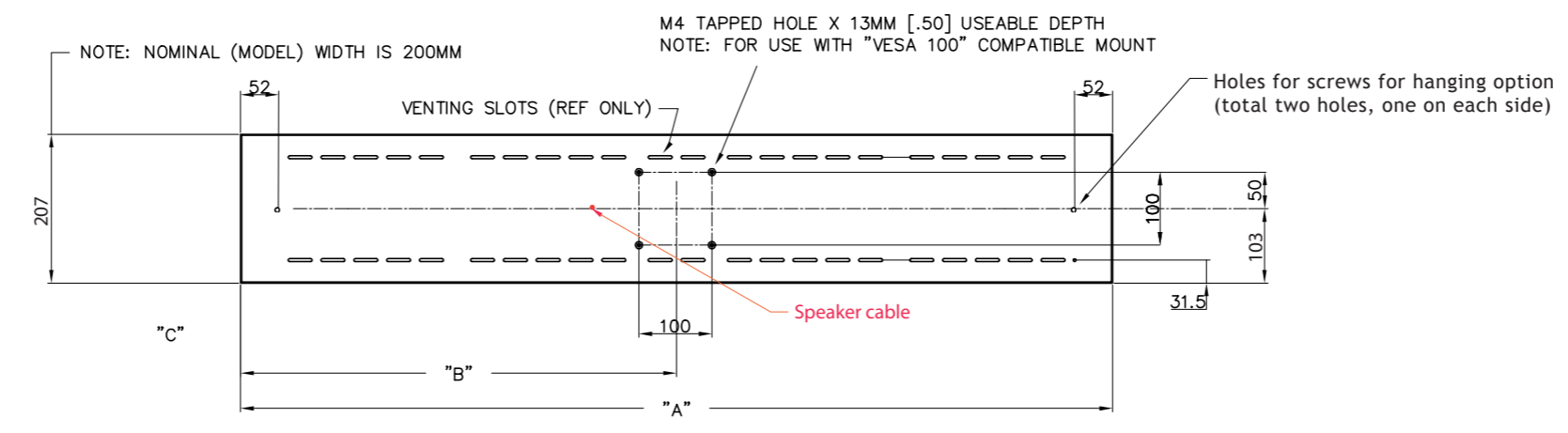
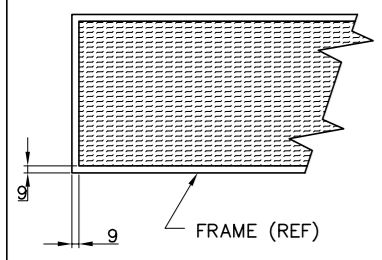


MODEL	SIZE: L x W x H		DIM. "A"		DIM. "B"		WEIGHT	
	MM	INCHES	MM	INCHES	MM	INCHES	KG	LBS.
SSHP 60x20	602 x 207 x 34	23.70 x 8.15 x 1.34	602	23.70	301	11.85	1,4	3.1
SSHP120x20	1197 x 207 x 34	47.16 x 8.15 x 1.34	1197	47.16	598.5	23.58	2,7	6



SSHP 60X60

MODEL	SIZE: L x W x H		KG	LBS.
	MM	INCHES		
SSHP 60x60	602 x 602 x 34	23.70 x 23.70 x 1.34	3	6.6



SSHP 180X20

MODEL	SIZE: L x W x H		DIM. "A"		DIM. "B"		WEIGHT	
	MM	INCHES	MM	INCHES	MM	INCHES	KG	LBS.
SSHP 180x20	1791 x 207 x 34	70.50 x 8.15 x 1.34	1791	70.50	895.5	35.25	3,6	7.9